

Advanced-Technology QA Consortium  
DICOM Workshop:

Image IODs

Walter R. Bosch, D.Sc.

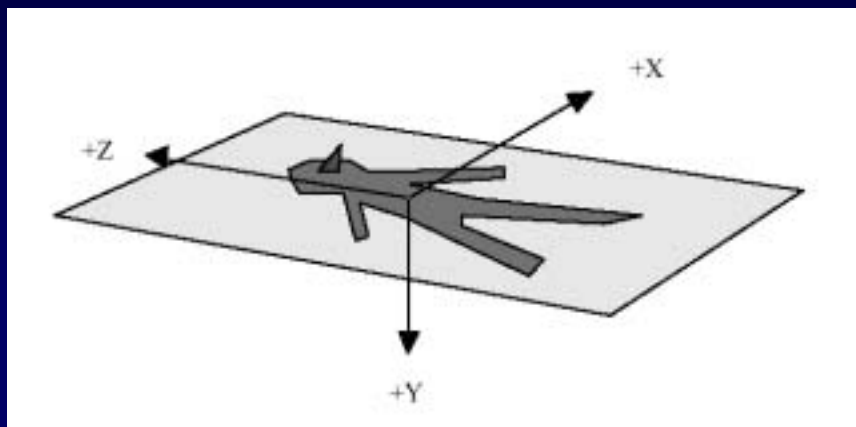
# IODs for Images

- ATC supports the following (single-frame) Image Information Objects:
  - CT Image
  - MR Image
  - US Image
- ATC is investigating support for
  - PET Image

# Coordinate Systems

- Primary Image Series defines the patient coordinate system for treatment planning
- For CT and MR Image Series (but not US)
  - Rotation with respect to Patient Coordinate System is specified by direction cosines in **Image Orientation (Patient) (0020,0037)** .
  - Translation with respect to Patient Coordinate System is specified by vector in **Image Position (Patient) (0020,0032)**.

# DICOM Patient Coordinate System



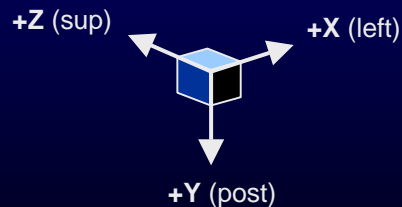
+X: to the left side of patient

+Y: to posterior of patient

+Z: toward head of patient

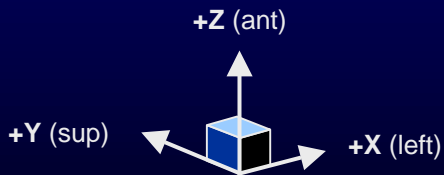
Measurements are in mm.

## DICOM



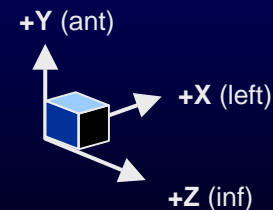
Units: mm

## IEC-61217



Units: cm or mm

## RTOG Data Exchange



Units: cm

# Image Plane Module

Field	Tag	Type	Comment
Pixel Spacing	(0028,0030)	1	Image row and column spacing
Image Orientation (Patient)	(0020,0037)	1	Direction cosines of image plane with respect to patient

- Row and column spacing **must be equal** (square pixels) for CT.
- Primary image sets from treatment planning systems are anticipated to be un-rotated with respect to the patient coordinate system, i.e., direction cosines are (1,0,0 and 0,1,0). **Others are not currently supported.**

## CT Image Requirements

- Image Rescale parameters are needed to compute Electron Density from CT:
  - Rescale Intercept (0028,1052)
  - Rescale Slope (0028,1053)
- Linkage between planes is via Frame of Reference UID

# MR Image Requirements

- Only transverse slices are supported by the ATC for treatment planning data sets.
- Currently, no ATC-supported protocols allow MR images as the primary treatment planning image set.
- If MR Image acquisition parameters are not maintained by the TPS, the following values may be used:
  - Image Type (0008,0008) of DERIVED\SECONDARY\OTHER
  - Scanning Sequence (0018,0020) of RM, i.e., “Research Mode”.
  - Sequence Variant (0018,0021) of NONE